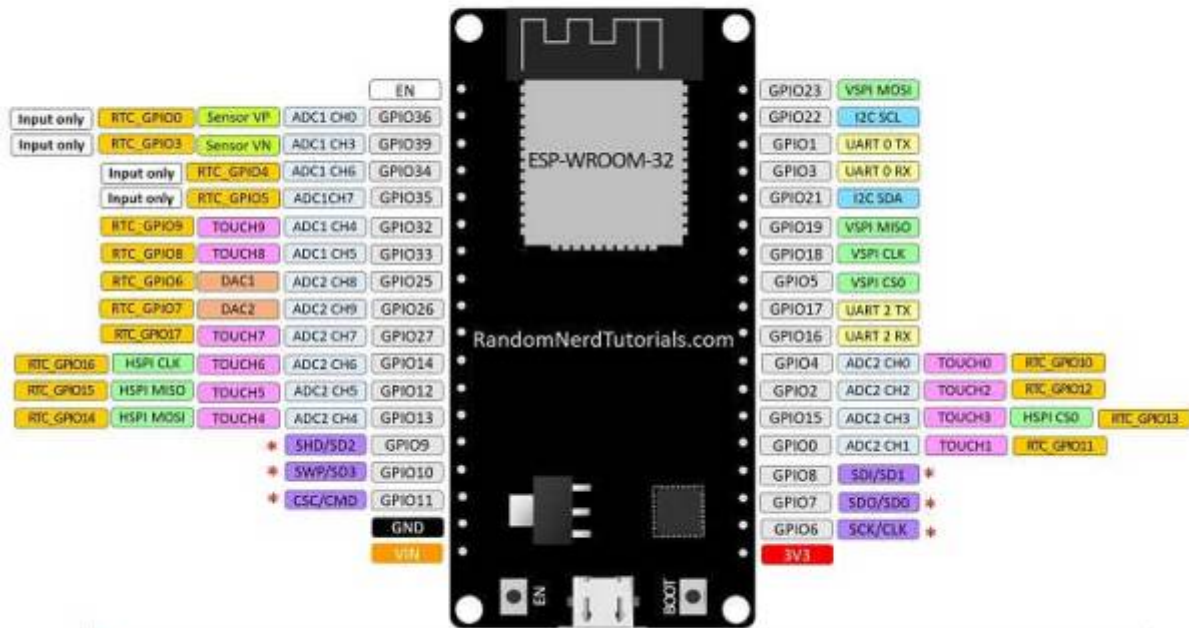


# Entree analogique

## Broches ESP32

### ESP32 DEVKIT V1 – DOIT version with 36 GPIOs



\* Plins SCK/CLK, SDO/SD0, SDI/SD1, SHD/SD2, SWP/SD3 and SCS/CMD, namely, GPIO6 to GPIO11 are connected to the integrated SPI flash integrated on ESP-WROOM-32 and are not recommended for other uses.

From:

<https://www.fablab37110.chanterie37.fr/> - Castel'Lab le Fablab MJC de Château-Renault

Permanent link:

<https://www.fablab37110.chanterie37.fr/doku.php?id=start:arduino:esp32:cours:ea&rev=1614778776>

Last update: 2023/01/27 16:08

